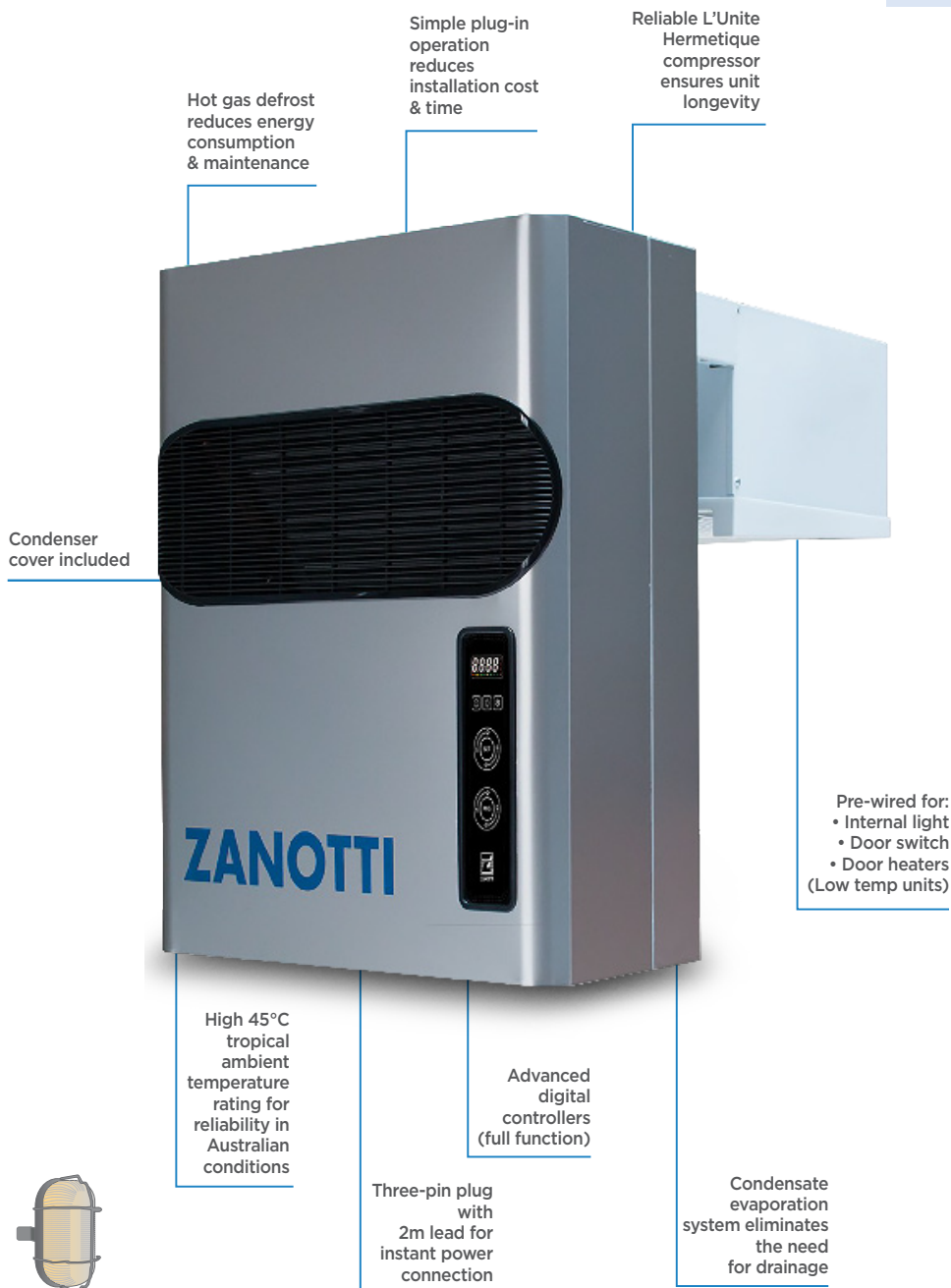


# BGM320 | Zanotti GM Range Slide-In Refrigerated Freezer Systems

## Refrigeration Systems

**BGM320**

**ZANOTTI GM RANGE SLIDE-IN REFRIGERATED FREEZER SYSTEMS**



New touchscreen digital controller



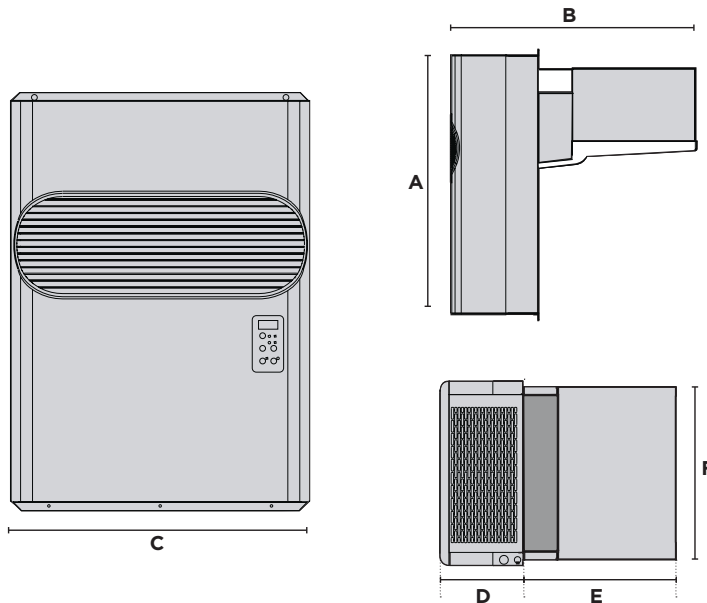
Internal light included



Drainage may be required in extreme ambient conditions or when storing high-water content produce

## BGM320 | Zanotti GM Range Slide-In Refrigerated Freezer Systems

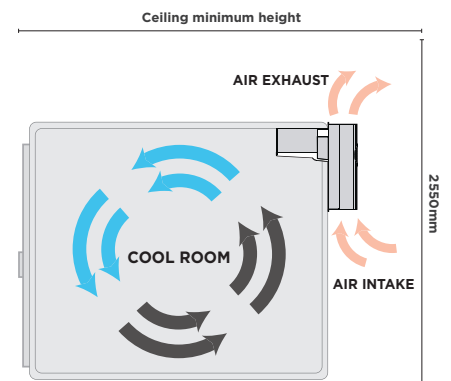
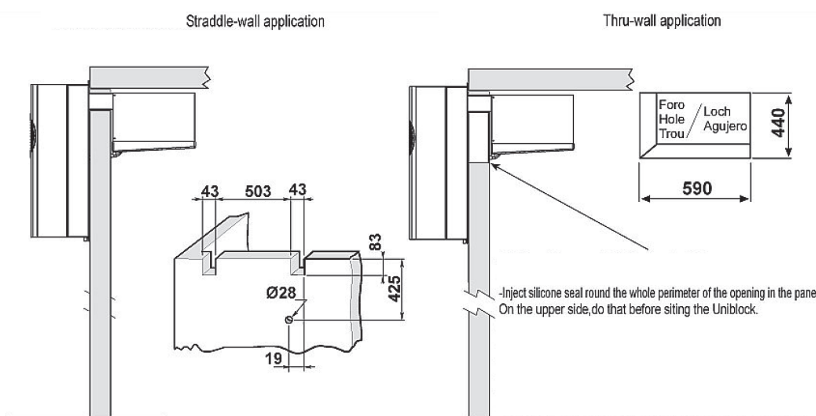
### Refrigeration Systems



### DIMENSIONS

	External (mm)
A	830
B	862
C	620
D	350
E	512
F	585

### Mounting Scheme



Sliding in from the side, this slim system utilises a vertical air path to minimise clearance requirements

<b>Part Number</b>	3835252
<b>Refrigeration Capacity</b>	2392W
<b>Temp. Range (°C)</b>	-25 to -5°C
<b>Max. Ambient Temp. (°C)</b>	45°C
<b>Run/Full-Load (Amps)</b>	10.6/17.8A
<b>Temp. Display</b>	Digital
<b>Interior Light</b>	Yes
<b>Gross Weight (kg)</b>	105kg
<b>Refrigerant</b>	R404a
<b>Power Supply</b>	25A
<b>Defrost Type</b>	Hot Gas
<b>Type of Control</b>	Touch Screen
<b>Internal Light</b>	Pre-Wired
<b>Heated Door Trim</b>	Yes
<b>Drainage Required</b>	No
<b>Warranty</b>	1 Year, Parts only
<b>Warranty Service</b>	Bromic Extra Care

\* Low temperature rated at -20°C internal temperature, 30°C ambient temperature.

### POWER DATA

Tc °C	Ta °C	P watt	P Kcal/h	V120 m³	V100 m³	V80 m³	
20	3316	2852	44	39	34		
	3087	2655	40	36	31		
	2858	2458	35	31	27		
	2632	2264	31	28	24		
	2409	2072	26	23	20		
-15	45	2189	1883	22	20	17	
	20	2803	2411	34	30	27	
	25	2596	2233	30	27	23	
	-20	30	2392	2057	26	23	20
	35	2192	1885	22	20	17	
-25	40	1995	1716	19	17	15	
	45	1803	1551	17	15	13	
	20	2324	1999	25	22	20	
	25	2142	1842	21	19	16	
	30	1964	1689	18	16	14	
-25	35	1791	1540	17	15	13	
	40	1620	1393	14	12	11	
	45	1451	1248	12	11	9.4	

BROMIC PTY Ltd reserve the right to alter specifications without notice.